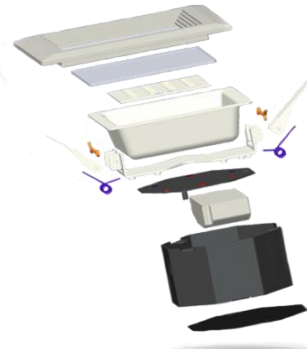


DCR-S5F

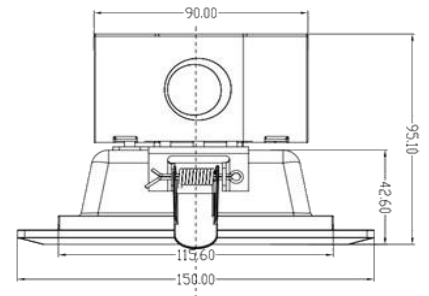
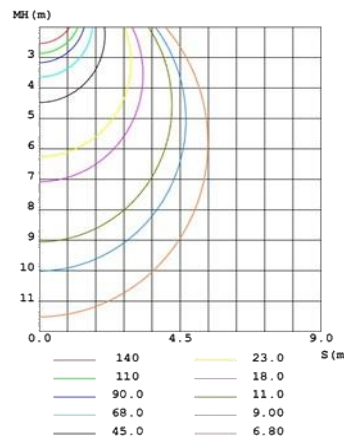
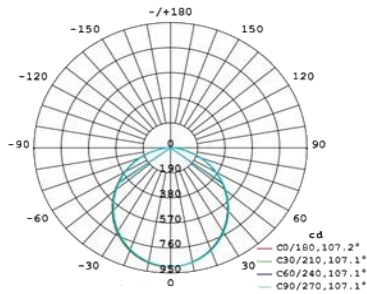
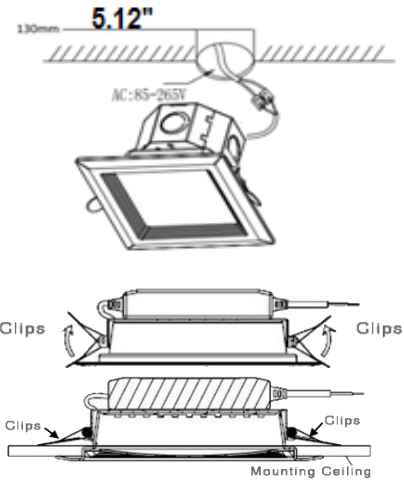
Commercial & Residential

5" LED Downlight

Project	Type
Project Location	
Catalog #	Qty



DIMENSIONS



DESCRIPTION

IC RATED



This patented 5" LED downlight is ideal for both commercial and residential applications. Its anti-glare design provides both a uniform and soft lighting effect. The quality construction includes an aluminum body which provides excellent thermal performance, lower light decline and longer life, including easy accessible junction box, allowing quick installation. No need for the traditional junction box any more. Save time & money during installation.

CRI: >80Ra Power Factor:>0.95 Working temperature: -25° to +50°

Trim color : White (WH) or Silver (SL)

SPECIFICATIONS

Ordering Information

Sample Catalog No.: C074-DCR-S5F-15W-27K-WH

Model No.	Wattage	LED type	Beam \angle	Lumens	Dimensions (ϕ /W*H)	Input V	CCT. (K)	Dimmable	Lifespan (hrs)
C074-DCR-S5F-15	15	EPISTAR	110°	1200	ϕ 5.12"/ 5.9"* 3.74"	110-277	2700-3200-4000-4500-5700-6200	Yes	50,000

Cobolight reserves the right to make technical improvements & modifications without notice. V.1503



8088, Trans-Canada Highway
Montreal, Qc., H4S 1M5, CANADA

T. +1 (514) 745-1414
F. +1 (514) 745-4664

info@Cobolight.com
Cobolight.com