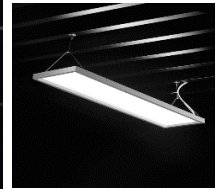


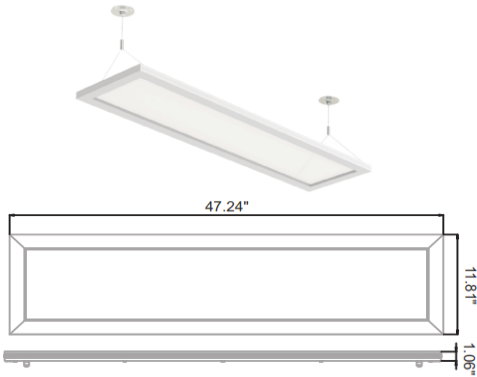
PA-UD-1'x4'

LED UP&DOWN PANEL Light

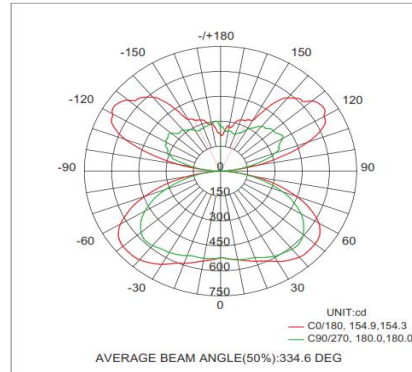
Project	Type
Project Location	
Catalog #	Qty



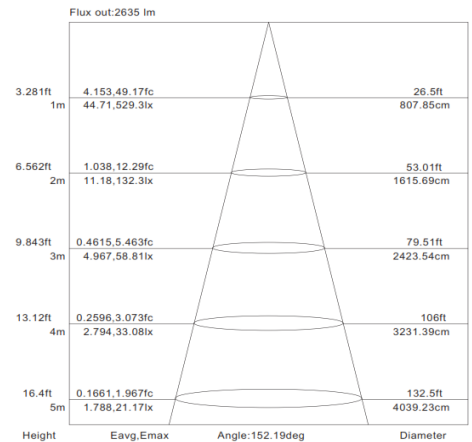
Unique 35% uplight & 65% downlight distribution



LUMINOUS INTENSITY DISTRIBUTION DIAGRAM



AVERAGE ILLUMINANCE CURVE



Note: The Curves indicate the illuminated area and the average illumination when the luminaire is at different distance.

DESCRIPTION

The PA-UD-1x4 series architectural suspended Up/Down dimmable LED panel is a commercial pendant fixture utilizing an advanced LED optical system to achieve superior performance. The unique design is nearly transparent luminaire when off and excellent uniformity and efficiency when on, reaching 65% downlight and 35% uplight distribution, making the illusion on the light floating in mid-air, complete with the option of having an UL Recognized constant current driver which support 0-10V dimming, or step dimming, suitable for indoor lighting, and connected to an electrical source of 100-277 VAC . THD:<20%

SPECIFICATIONS

Ordering Information

Sample Catalog No.: C152-PA-UD-1x4-55W-40K

Model No.	Wattage	CRI	PF	Lumens	Dimensions	Input V	CCT. (K)	Dimmable	Lifespan
C152-PA-UD-1x4-54	54	>80Ra	>0.9	4929	1x4	100-277	3000-35000-4000-5000	Yes	50,000(h)

Cobolight reserves the right to make technical improvements & modifications without notice. V.1508



8088, Trans-Canada Highway
Montreal, Qc., H4S 1M5, CANADA

T. +1 (514) 745-1414
F. +1 (514) 745-4664

info@Cobolight.com
Cobolight.com