



Roadway Series

C240-RL3 SERIES

Life span
50,000hrs

Ambient Temperature
-40°C~+40°C

Humidity
≦95%

Hot selling Street Light

FEATURES

- ▶ High pressure die cast aluminum gearbox, Antin-static powder coat finish.
- ▶ Beautiful appearance, Easy Installation, Maintenance Free.
- ▶ High efficient LED Chip module ensures excellent performance.
- ▶ IP Rating: IP66

Application

- ▶ Roadways, Freeways, Highways, Parking lots, Off-street areas, etc

CERTIFICATION



MW MEAN WELL 7 YEAR WARRANTY

PHILIPS
sense and simplicite

New



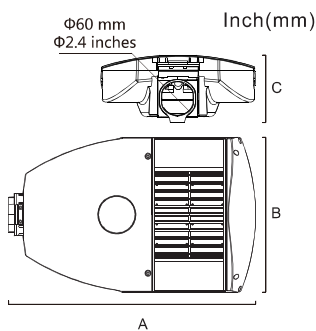
Sensor for Option



SPECIFICATIONS

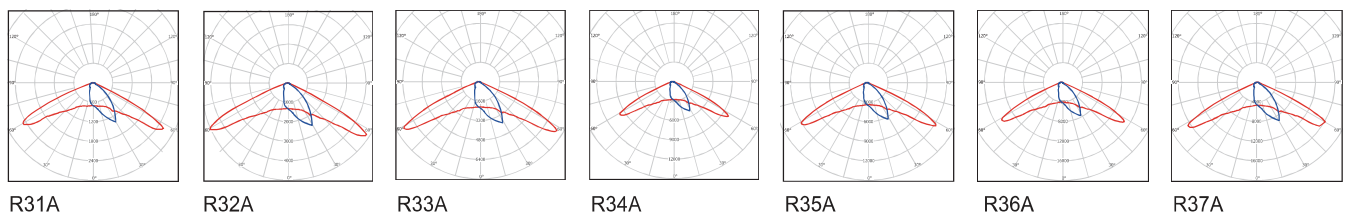
Model	Input Power	ETL	DLC	Input Voltage	CCT	CRI	Delivered Lumens(5K)	Power Factor	THD	Installation
R31A	35W	YES	YES	100-277V 50/60HZ DC12/24V	2700- 6500K	>75	3,500 LM	>0.92	<15%	Φ1.97-2.36" (Φ50-60) Round pole
R32A	65W	YES	YES				6,500 LM			
R33A	100W	YES	YES				10,000 LM			
R34A	135W	YES	YES				13,500 LM			
R35A	165W	YES	YES				16,500 LM			
R36A	200W	YES	YES				20,000 LM			
R37A	230W	YES	YES				23,000 LM			

DIMENSION



Model	A	B	C	Weight(Kg)
R31A	23.62(600)	12.40(316)	5.40(136)	5.3
R32A	27.17(690)	12.40(316)	5.40(136)	6.1
R33A	30.71(780)	12.40(316)	5.40(136)	7.3
R34A	30.71(780)	12.40(316)	5.40(136)	8.2
R35A	30.71(780)	12.40(316)	5.40(136)	9.0
R36A	30.71(780)	12.40(316)	5.40(136)	9.9
R37A	30.71(780)	12.40(316)	5.40(136)	10.8

Distribution Curve Flux



R31A

R32A

R33A

R34A

R35A

R36A

R37A