



Security Light Series

C240-Se02 SERIES

Li Fe span
30,000hrs

Resistant Temperature
-40°C → +40°C

Efficiency
≥ 85%

FEATURES

- ▶ High pressure die cast aluminum housing, Anti-static powder coat finish.
- ▶ Highly efficient thermal conductive heat dissipation system.
- ▶ LM-80 Certification LED populated custom strips provide ideal light distribution.
- ▶ IP Rating : IP65

APPLICATIONS

- ▶ Workshop, Warehouse, Supermarket, etc



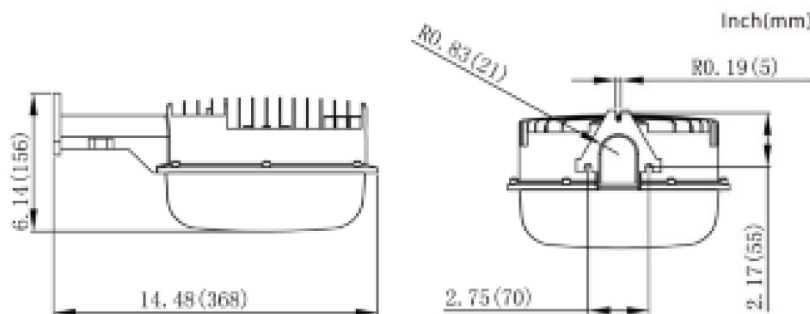
CERTIFICATION



SPECIFICATIONS

Model	Input Power	ETL	DLC	Input Voltage	CCT	CRI	Delivered Lumens(5K)	Power Factor	THD	Installation
Se02A30	30W	YES		100-277V 50/60HZ	2700- 6500K	>75	2,850 LM	>0.92	<15%	Wall mount or Φ1.57-1.77" (Φ40-45) Round Pole
Se02A40	40W	YES	YES				3,850 LM			
Se02A50	50W	YES					4,550 LM			

DIMENSION



Model	Weight (Kg)
Se02A30	3.2
Se02A40	3.4
Se02A50	3.6

Distribution Curve Flux

